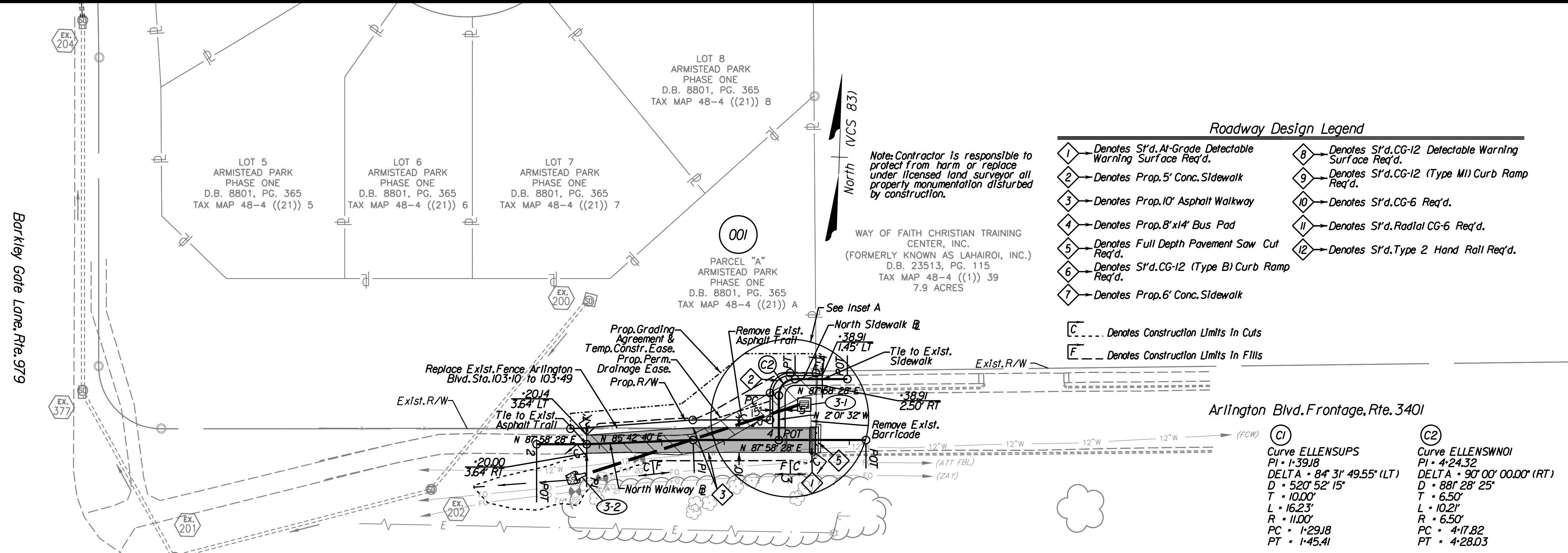
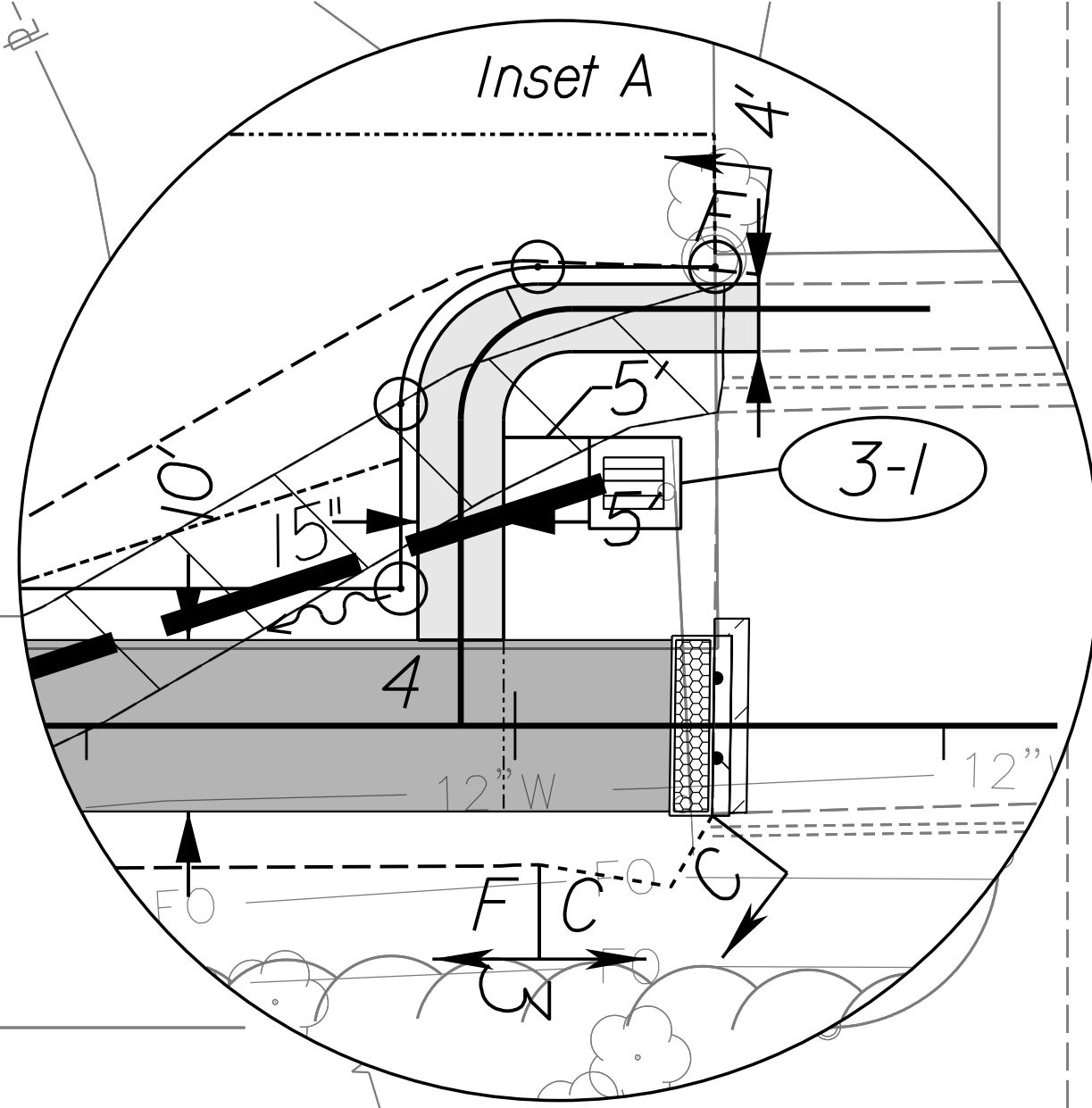


PROJECT MANAGER: Fairfax Co. Dept. of Transportation, Dennis Marsh (703) 877-5746  
 SURVEYED BY, DATE: Fairfax County, LSB, Vickie Anglin, L.S. (703) 324-5151, June 2019  
 DESIGN BY: Rinker Design Associates, P.C., Adam Welschenbach, P.E. (703) 368-7373  
 SUBSURFACE UTILITY BY, DATE: TBD

Rinker Design Associates, P.C.  
 Civil Engineering, Surveying, Environmental Engineering, Transportation Engineering, Right of Way Services



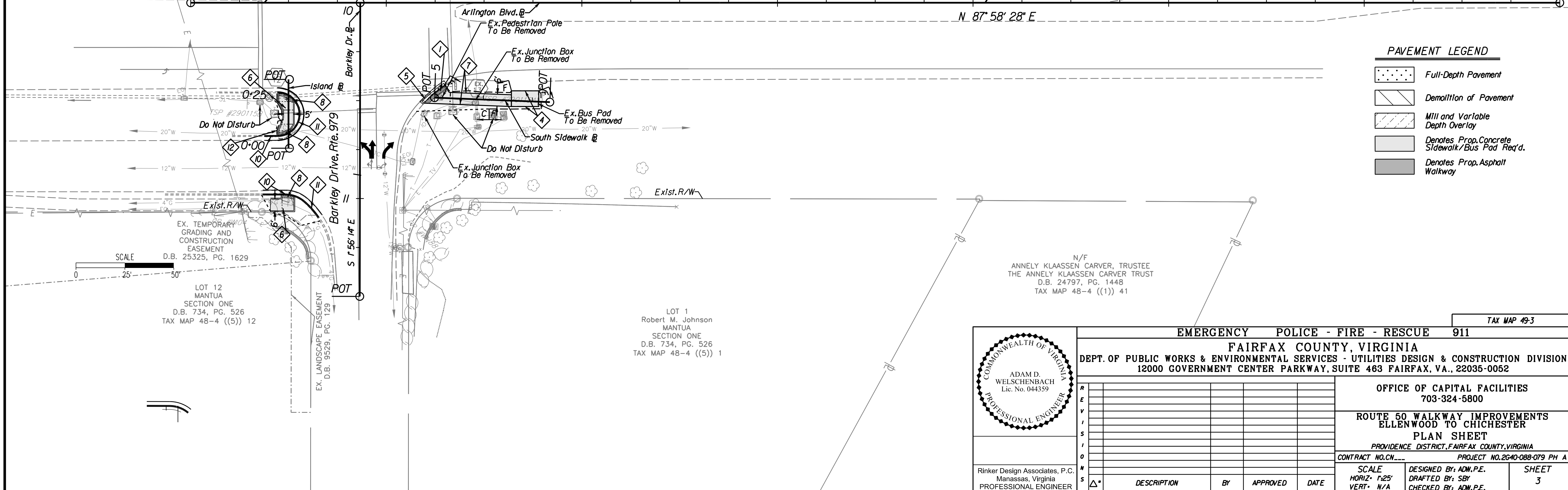
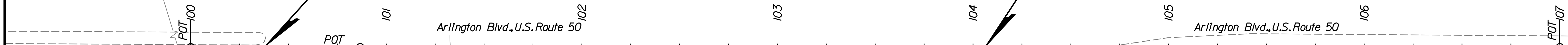
- ### Roadway Design Legend
- 1 - Denotes St'd. At-Grade, Detectable Warning Surface Req'd.
  - 2 - Denotes Prop. 5' Conc. Sidewalk
  - 3 - Denotes Prop. 10' Asphalt Walkway
  - 4 - Denotes Prop. 8'x14' Bus Pad
  - 5 - Denotes Full Depth Pavement Saw Cut Req'd.
  - 6 - Denotes St'd. CG-12 (Type B) Curb Ramp Req'd.
  - 7 - Denotes Prop. 6' Conc. Sidewalk
  - 8 - Denotes St'd. CG-12 Detectable Warning Surface Req'd.
  - 9 - Denotes St'd. CG-12 (Type M) Curb Ramp Req'd.
  - 10 - Denotes St'd. CG-6 Req'd.
  - 11 - Denotes St'd. Radial CG-6 Req'd.
  - 12 - Denotes St'd. Type 2 Hand Rail Req'd.

- C - Denotes Construction Limits in Cuts
- F - Denotes Construction Limits in Fills

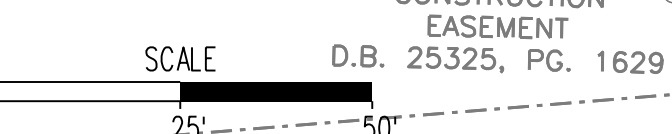
Curve	ELLENWSUP	ELLENWNOI
PI	1.3918	4.2432
DELTA	84° 31' 49.55" (LT)	90° 00' 00.00" (RT)
D	520' 52" 15"	881' 28" 25"
T	10.00'	6.50'
L	16.23'	10.21'
R	11.00'	6.50'
PC	1+29.18	4+17.82
PT	1+45.41	4+28.03

Begin Construction/Begin Project 2640-088-079 PH A  
 Station 100+37.60 Arlington Blvd. (U.S. Rte. 50) @

End Construction/End Project 2640-088-079 PH A  
 Station 104+06.18 Arlington Blvd. (U.S. Rte. 50) @



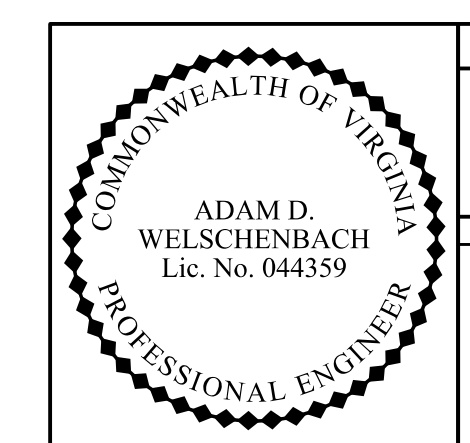
- ### PAVEMENT LEGEND
- Full-Depth Pavement
  - Demolition of Pavement
  - MII and Variable Depth Overlay
  - Denotes Prop. Concrete Sidewalk/Bus Pad Req'd.
  - Denotes Prop. Asphalt Walkway



LOT 12 MANTUA SECTION ONE  
 D.B. 734, PG. 526  
 TAX MAP 48-4 ((5)) 12

LOT 1 Robert M. Johnson MANTUA SECTION ONE  
 D.B. 734, PG. 526  
 TAX MAP 48-4 ((5)) 1

N/F ANNELY KLAASSEN CARVER, TRUSTEE  
 THE ANNELY KLAASSEN CARVER TRUST  
 D.B. 24797, PG. 1448  
 TAX MAP 48-4 ((1)) 41



EMERGENCY POLICE - FIRE - RESCUE 911			
FAIRFAX COUNTY, VIRGINIA			
DEPT. OF PUBLIC WORKS & ENVIRONMENTAL SERVICES - UTILITIES DESIGN & CONSTRUCTION DIVISION			
12000 GOVERNMENT CENTER PARKWAY, SUITE 463 FAIRFAX, VA., 22035-0052			
OFFICE OF CAPITAL FACILITIES 703-324-5800		ROUTE 50 WALKWAY IMPROVEMENTS ELLENWOOD TO CHICHESTER PLAN SHEET	
PROVIDENCE DISTRICT, FAIRFAX COUNTY, VIRGINIA		CONTRACT NO. CN-2640-088-079 PH A	
SCALE	DESIGNED BY: ADM, P.E.	SHEET 3	
HORIZ - 1"=25'	DRAFTED BY: SBY		
VERT - N/A	CHECKED BY: ADM, P.E.		
DESCRIPTION	BY	APPROVED	DATE